


PRODUCT SHEET

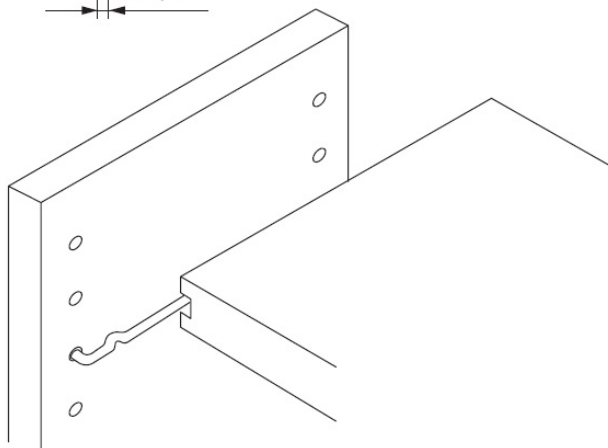
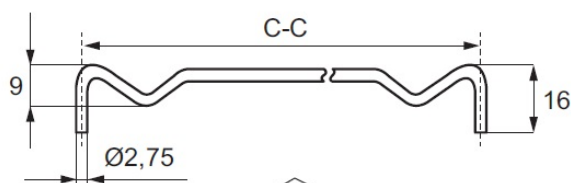
Description:

Wire Shelf Support c/c 160mm, Galvanized Wire F/2,75mm Bore

Item number:

22.02.310-0

Units	Box	Carton	HS Code	Barcode
Pcs.	100	1000	8302420090	
				5704866079273



SISO A/S

Mileparken 11
DK-2740 Skovlunde
Denmark
VAT: DK 24786013

Phone +45 45 830 900

www.siso.dk
siso@siso.dk

Danske Bank
Nytorv Branch
Copenhagen
SWIFT: DABADKKK

Account no.
4180 3112 112936
IBAN Account
DK7230003112112936